

# IC ULTRA High Mast

The IC Ultra high mast delivers powerful illuminance, equipped with well-designed optics for precise light distribution to cover large areas.

This Big Shine LED fixture carries a lens made with high-quality PC material and dispenses a transmittance rate of more than 90%.

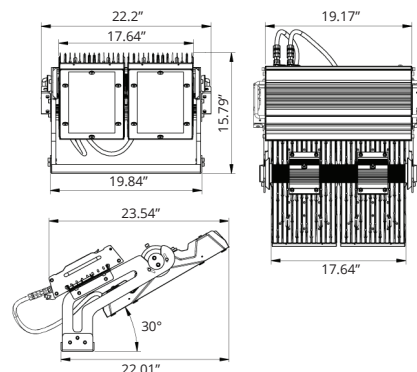
Each LED module is rotatable and equipped with respirators to eliminate water vapor, allowing for optimal performance in various weather conditions.

## APPLICATIONS

Industrial, Commercial, Recreational



## DIMENSIONS



## MODEL OPTIONS

Manufacturer	Fixture Type	Wattage	Voltage	Name	Driver	Chip	CCT (X)	Beam Angle (Y)
BSL BIG SHINE LED	HM High Mast	600W	100-277V G-277-480V Optional	ICU	MW Mean Well	NI Nichia	3000k, 4000K, 5000K	65x120°, 30x55°, 60x110°, 20°, 30°, 60°

## TECHNICAL SPECIFICATIONS

	600W
Lumens	75,000
Efficacy	125
CRI	70 (5000K)
Voltage Input	100-277V
Voltage Output	48V
Amperage	6
Hertz	50-60 Hz
Total Harmonic Dist.	<15%
Control Options	0-10V Optional (T)
Operating Temp.	-22-122°F
IP Rating	IP66
IK Level	IK08
Weight	63.93 lb
EPA	0.254m <sup>2</sup>
Drive Life	50,000 hrs
L70 Results <sup>1</sup>	60,000 hrs

<sup>1</sup> LM80 and TM21 results are available upon request. Specifications are subject to change without notice.

## MOUNTING OPTIONS

Yoke Bracket

## STANDARD COLOR OPTIONS



Black

\*Customized colors available upon RAL request. MOQ applies.

## FIELD & BEAM ANGLES

MODEL	Beam	Height vs. Illuminance (ft vs. lx)		
	Angle	9.8 ft	19.7 ft	29.5 ft
BSL-HM600-ICU-MWNI-5000K-65x120	65x120	3,202.1	800.5	355.8
BSL-HM600-ICU-MWNI-5000K-30x55	30x55	8,210.3	2,052.6	912.3
BSL-HM600-ICU-MWNI-5000K-60x110	60x110	2,562.7	640.7	284.7
BSL-HM600-ICU-MWNI-5000K-20	20	42,865.0	10,716.3	4,762.8
BSL-HM600-ICU-MWNI-5000K-30	30	25,422.7	6,355.7	2,824.8
BSL-HM600-ICU-MWNI-5000K-60	60	10,498.7	2,624.7	1,166.5

## PHOTOMETRICS

