

# Cross Arms

Cross Arms are engineered and manufactured of Aluminum Alloy 6063 components and are heat-treated after weld to a T6 temper. Stainless Steel Mounting Hardware is included. Standard Cross Arms are constructed of 2" NPS (2-3/8" O.D.) Schedule 40 Pipe. Custom designs including varying Pipe Arm diameters and Arm dimensions are available.

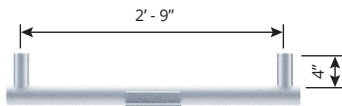
Please contact Big Shine LED for more information.



**63-002**

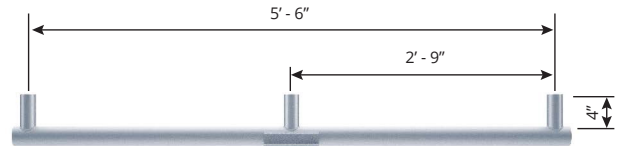
Single Cross Arm (Bolt-On Tenon 4" Tall)

Model Number	Description	Pipe Arm Diameter	Bracket EPA
63-002	Single Cross Arm	2" NPS (2.375" O.D.)	
63-004	Double Cross Arm - 180°	2" NPS (2.375" O.D.)	0.65 ft <sup>2</sup>
63-006	Triple Cross Arm - 180°	2" NPS (2.375" O.D.)	1.25 ft <sup>2</sup>
63-008	Quad Cross Arm - 180°	2" NPS (2.375" O.D.)	1.85 ft <sup>2</sup>
63-010	Triple Cross Arm - 120°	2" NPS (2.375" O.D.)	1.25 ft <sup>2</sup> (Shielded)
63-012	Quad Cross Arm - 90°	2" NPS (2.375" O.D.)	1.40 ft <sup>2</sup> (Shielded)



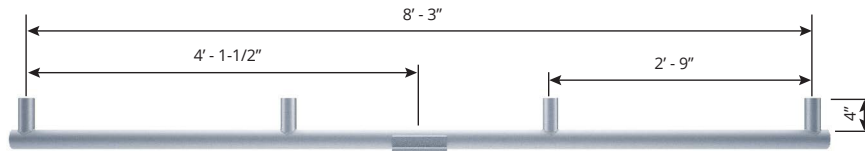
**63-004**

Double Cross Arm - 180°



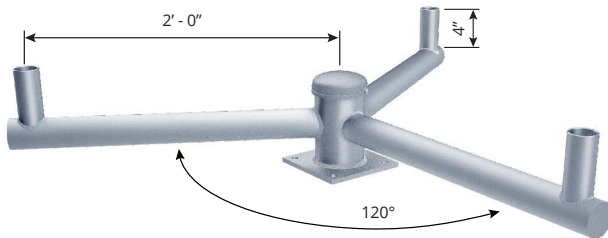
**63-006**

Triple Cross Arm - 180°



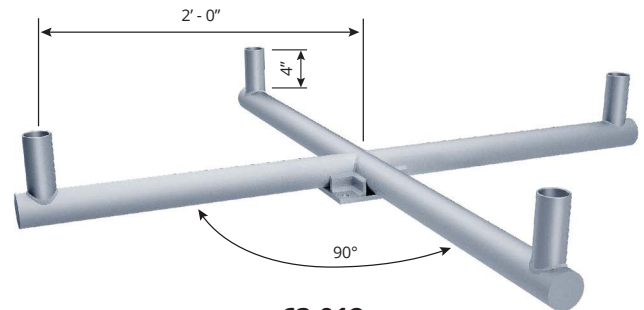
**63-008**

Quad Cross Arm - 180°



**63-010**

Triple Cross Arm - 120°



**63-012**

Quad Cross Arm - 90°