

CXO 10" Down Light

Big Shine LED's CXO is a fully-equipped down light with a low UGR, providing an anti-glare design that has a diverse range of applications.

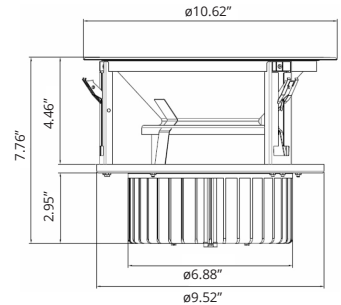
CXO is engineered with COB LED technology as well as a pure aluminum heat sink that allows for optimal heat management. With a high thermal conductivity, CXO is an efficient replacement for 200W-250W metal halide and HID down lights.

APPLICATIONS

Commercial: Restaurants, Hotels, Lobbies, etc.



DIMENSIONS



MODEL OPTIONS

Manufacturer	Fixture Type	Wattage	Voltage	Name	Driver	Chip	CCT	Beam Angle
BSL BIG SHINE LED	DL Down Light	100W	100-277V	CXO	MW Mean Well	BL Bridgelux	2700K, 3000K, 4000K, 5000K	60°

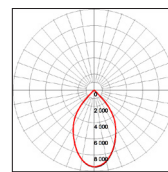
TECHNICAL SPECIFICATIONS

	100W
Lumens	7,600
Efficacy	95
CRI	>80
Voltage Input	100-277V
Voltage Output	39V
Amperage	2.25
Hertz	50-60 Hz
Total Harmonic Dist.	<14.9%
Dimmability	Non-Dimmable
Operating Temp.	-4~122°F
IP Rating	IP44
IK Level	IK08
Weight	5.64 lb
Lifetime	50,000 hrs

FIELD & BEAM ANGLES

MODEL	Beam	Height vs. Illuminance (ft vs. lx)		
	Angle	9.8 ft	19.7 ft	29.5 ft
BSL-DL100-CX10-MWBL-5000K-60	60	1,051.6	262.9	116.9

PHOTOMETRICS

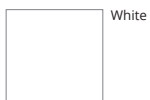


100W-5000K-60°

MOUNTING OPTIONS

Recessed Mount

STANDARD COLOR OPTIONS



White

