

SIDEKICK ULTRA Flood Light

The Sidekick Ultra is the perfect combination of high-performance LEDs and a high-efficiency driver. A sophisticated in-house lens design delivers efficient performance while providing quality and comfortable light for industrial and recreational applications.

Versatile enough for indoor and outdoor areas with an IP66 protection rating, the Sidekick Ultra offers an aesthetic design with exceptional performance and reliability.

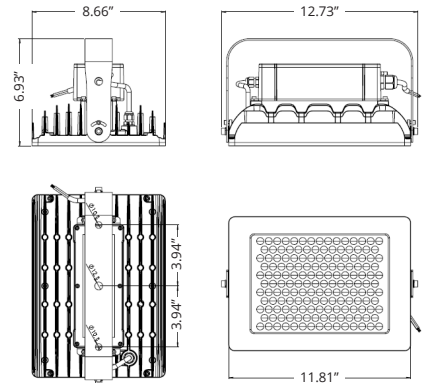
APPLICATIONS

Commercial: Car Dealerships, Shopping Malls, Recreation Centers, Sports Centers, etc.

Industrial: Maintenance Facilities, Metal Fabricators, Warehouses, Storage Houses, Factories, etc.



DIMENSIONS



MODEL OPTIONS

Mftr	Fixture Type	Wattage	Name	Driver	Chip	Color	Beam Angle
BSL BIG SHINE LED	FL Flood Light	150W	SDU	GN Generic	GN Generic	3000K-6500K	60x90°, 120°

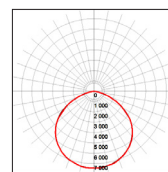
TECHNICAL SPECIFICATIONS

	150W
Lumens	21000
Efficacy	140
CRI	80
Voltage Input	100~277V
Voltage Output	N/A
Amperage	1.2711
Hertz	50~60Hz
Total Harmonic Dist.	20.66
Dimmability	Dimmable or Non-Dimmable
Operating Temp.	-22°~122°F
IP Rating	IP66
IK Level	IK08
Weight	9.04 lb
Lifetime	50,000 hrs

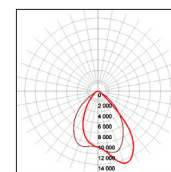
FIELD & BEAM ANGLES

MODEL	Beam	Height vs. Illuminance (Ft vs Lux)		
	Angle	9.8 ft	19.7 ft	29.5 ft
BSL-FL150-SDU-GNGN-5000K-120	120	825.4	206.4	91.7
BSL-FL150-SDU-GNGN-5000K-60X90	60X90	1,191.4	297.8	132.4

PHOTOMETRICS



150W-5000K-120°



150W-5000K-60x90°

MOUNTING OPTION

Twin Bracket

COLOR OPTIONS



*Customized colors available upon RAL request. MOQ applies.

