

# SIDEKICK ULTRA High Bay

Big Shine LED's Sidekick Ultra high bay combines high-performance LEDs with a high-efficiency driver resulting in bright light.

Its in-house design and sophisticated optical lens produces quality and comfortable illuminance.

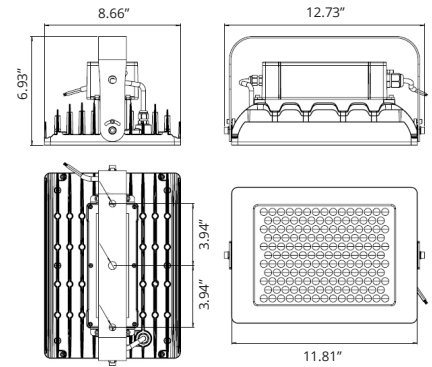
This IP66-rated high bay can withstand various kinds of ambient conditions. It offers flexible LED configurations and a low UGR option to reduce glare interference.

## APPLICATIONS

Industrial, Commercial, Recreational



## DIMENSIONS



## MODEL OPTIONS

Manufacturer	Fixture Type	Wattage	Voltage	Name	Driver	Chip	CCT	Beam Angle
BSL BIG SHINE LED	HB High Bay	150W	100-277V G-277-480V	SKU	LT Generic	NX Lextar	5000K	60x90°, 120°

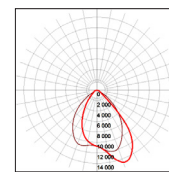
## TECHNICAL SPECIFICATIONS

	150W
Lumens	21,750
Efficacy	145
CRI	85 (5000K)
Voltage Input	100-277V
Voltage Output	N/A
Amperage	2.2
Hertz	50-60Hz
THD	<21%
Control Options	0-10V Optional (T)
Operating Temp.	-22°~122°F
IP Rating	IP66
IK Level	N/A
Weight	9.04 lb
Driver Life	50,000 hrs

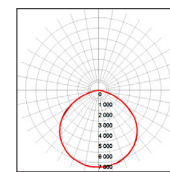
## FIELD & BEAM ANGLES

MODEL	Beam	Height vs. Illuminance (Ft vs Lux)		
	Angle	9.8 ft	19.7 ft	29.5 ft
BSL-HB150-SKU-LTNX-5000K-120	120	825.4	206.4	91.7
BSL-HB150-SKU-LTNX-5000K-60X90	60X90	1,191.4	297.8	132.4

## PHOTOMETRICS



150W-5000K-120°



150W-5000K-60x90°

## MOUNTING OPTIONS

Yoke Bracket

## STANDARD COLOR OPTIONS



Silver

\*Customized colors available upon RAL request. MOQ applies.

