

# SATELLITE HD High Bay

Satellite HD's cutting-edge, streamlined aluminum and magnesium alloy die-cast adds to the strength of the fixture while preserving its light weight body.

Highly efficient Cree chips deliver superior performance for the high-intensity Satellite HD LED high bay.

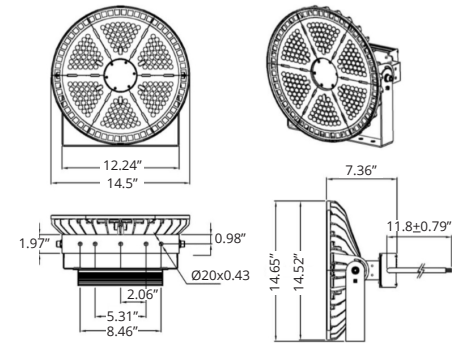
With an IP65 rating, Satellite HD is able to protect the light from dust ingress and rain/water invasion at any angle.

## APPLICATIONS

Industrial, Commercial, Recreational



## DIMENSIONS



## MODEL OPTIONS

Manufacturer	Fixture Type	Wattage	Voltage	Name	Driver	Chip	CCT (X)	Beam Angle (Y)
BSL BIG SHINE LED	HB High Bay	300W	100-277V G-277-480V Optional	SEH (D)	M Mean Well	O OSRAM	(4K) 4000K (5K) 5000K	30°, 60°, 100°

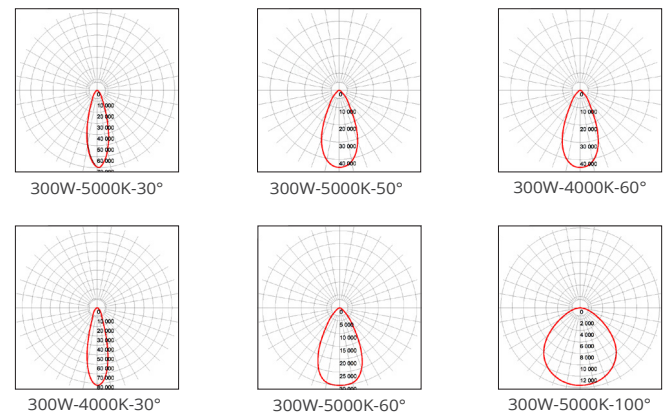
## TECHNICAL SPECIFICATIONS

	300W
Lumens	39,000
Efficacy	130
CRI	75 (5000K)
Voltage Input	100-277V
Voltage Output	48V
Amperage	1.26
Hertz	50-60 Hz
THD	8.4%
Control Options	0-10V Optional (T)
Operating Temp.	-22~122°F
IP Rating	IP65
IK Level	N/A
Weight	14.33 lb
Driver Life	50,000 hrs

## FIELD & BEAM ANGLES

MODEL	Beam	Height vs. Illuminance (ft vs. lx)		
	Angle	9.8 ft	19.7 ft	29.5 ft
BSL-HB300-SEH-MO-5K-30	30	7,685.7	1,921.4	854.0
BSL-HB300-SEH-MO-5K-60	60	3,344.6	836.2	371.6
BSL-HB300-SEH-MO-5K-100	100	1,507.1	376.8	167.5

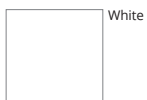
## PHOTOMETRICS



## MOUNTING OPTIONS

Yoke Bracket, Eye Bolt

## STANDARD COLOR OPTIONS



White

\*Customized colors available upon RAL request. MOQ applies.

