

SATELLITE HD High Bay

Satellite HD's cutting-edge, streamlined aluminum and magnesium alloy die-cast adds to the strength of the fixture while preserving its light weight body.

Highly efficient Cree chips deliver superior performance for the high-intensity Satellite HD LED high bay.

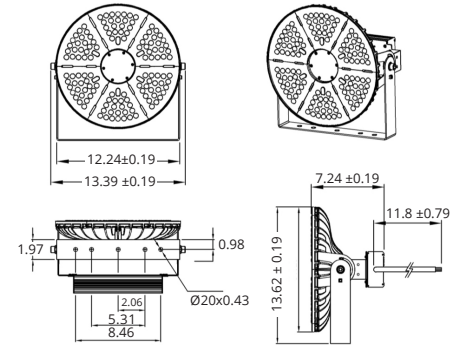
With an IP65 rating, Satellite HD is able to protect the light from dust ingress and rain/water invasion at any angle.

APPLICATIONS

Industrial, Commercial, Recreational



DIMENSIONS



MODEL OPTIONS

Manufacturer	Fixture Type	Wattage	Voltage	Name	Driver	Chip	CCT (X)	Beam Angle (Y)
BSL BIG SHINE LED	HB High Bay	200W	100-277V G-277-480V Optional	SEH (D)	M Mean Well	O OSRAM	(4K) 4000K (5K) 5000K	30°, 60°, 100°

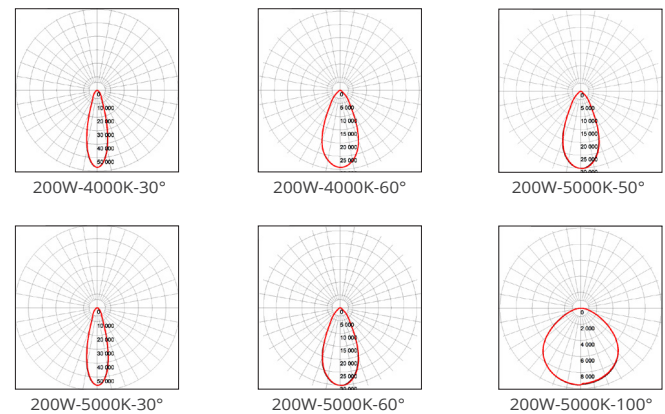
TECHNICAL SPECIFICATIONS

	200W
Lumens	26,000
Efficacy	130
CRI	84 (5000K)
Voltage Input	100-277V
Voltage Output	36V
Amperage	1.6
Hertz	50-60 Hz
THD	5%
Control Options	0-10V Optional (T)
Operating Temp.	-22~122°F
IP Rating	IP65
IK Level	N/A
Weight	13.4 lb
Driver Life	50,000 hrs

FIELD & BEAM ANGLES

MODEL	Beam Angle	Height vs. Illuminance (ft vs. lx)		
		9.8 ft	19.7 ft	29.5 ft
BSL-HB200-SEH-MO-5K-30	30	6,209.7	1,552.4	690.0
BSL-HB200-SEH-MO-5K-60	60	3,340.9	835.2	371.2
BSL-HB200-SEH-MO-5K-100	100	1,058.6	264.7	117.6

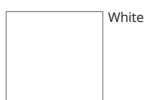
PHOTOMETRICS



MOUNTING OPTIONS

Yoke Bracket, Eye Bolt

STANDARD COLOR OPTIONS



White

*Customized colors available upon RAL request. MOQ applies.

