

HUBBLE Flood Light/High Bay

Big Shine LED's Hubble is double-classified as a high bay and flood light, due to its versatility, and can also serve as an area light when mounted on a pole. Manufactured with an anodized aluminum die-casting, Hubble's metallic surface has a durable and corrosion-resistant finish.

This fixture's innovative design can accommodate up to six LED modules, and the heatsink technology ensures long lifespan and low light decline.

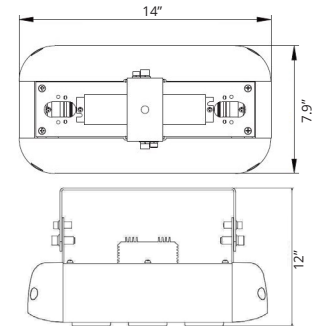
Rated IP67, the Hubble is tolerant to dust ingress and water submersion, making it ideal for various types of applications.

APPLICATIONS

Industrial, Commercial, Recreational



DIMENSIONS



MODEL OPTIONS

Manufacturer	Fixture Type	Wattage	Voltage	Name	Driver	Chip	CCT	Beam Angle
BSL BIG SHINE LED	FL Flood Light	50W	100-277V G-277-480V Optional	HBL	MN Mean Well	OS Osram	4000K, 5700K	60°, 90°

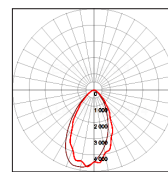
TECHNICAL SPECIFICATIONS

	50W
Lumens	6,250
Efficacy	125
CRI	>75 (5000K)
Voltage Input	100-277V
Voltage Output	48V
Amperage	0.86
Hertz	50-60 Hz
Total Harmonic Dist.	<20%
Control Options	0-10V Optional (T)
Operating Temp.	-40~122°F
IP Rating	IP67
IK Level	IK08
Weight	7.3 lb
Driver Life	50,000 hrs

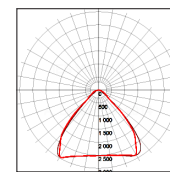
FIELD & BEAM ANGLES

MODEL	Beam	Height vs. Illuminance (ft vs. lx)		
	Angle	9.8 ft	19.7 ft	29.5 ft
BSL-FL50-HBL-MWOS-4000K-60	60	491.6	122.9	54.6
BSL-FL50-HBL-MWOS-4000K-90	90	278.9	69.7	31.0
BSL-FL50-HBL-MWOS-5700K-60	60	469.1	117.3	52.1
BSL-FL50-HBL-MWOS-5700K-90	90	274.1	68.5	30.5

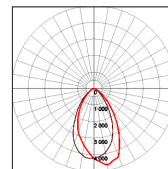
PHOTOMETRICS



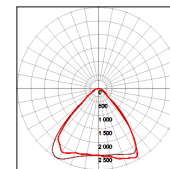
50W-4000K-60°



50W-4000K-90°



50W-5700K-60°



50W-5700K-90°

MOUNTING OPTIONS

Yoke Bracket, Slip Fitter

STANDARD COLOR OPTIONS



Silver

*Customized colors available upon RAL request. MOQ applies.

