

HUBBLE Area Light

The Hubble's double coupling structure prevents the penetration of water vapor, minimizing the possibility of erosion of chips and PCB boards.

Its modular LED engines deliver superior color consistency. The modular design also facilitates quick and easy repair and maintenance if needed.

An anodized aluminum die-casting gives the metallic surface an elegant, durable and corrosion-resistant finish.

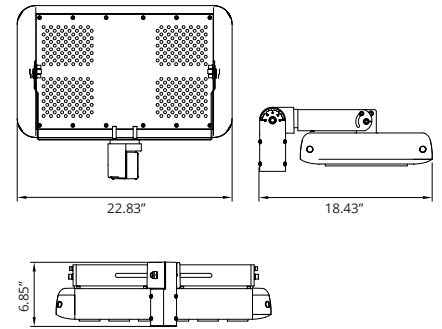
APPLICATIONS

Commercial: Car Dealerships, Shopping Malls, Recreation Centers, Sports Centers, etc.

Industrial: Maintenance Facilities, Metal Fabricators, Warehouses, Storage Facilities, Factories, etc.



DIMENSIONS



MODEL OPTIONS

Mftr	Fixture Type	Wattage	Name	Driver	Chip	Color	Beam Angle
BSL BIG SHINE LED	AL Area Light	400W	HBL	MW Mean Well	OS Osram	4000K-5700K	60°, 90°

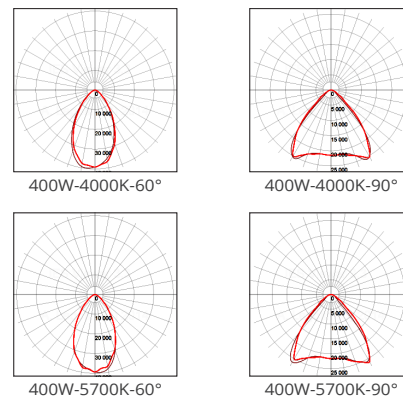
TECHNICAL SPECIFICATIONS

	400W
Lumens	48000
Efficacy	120
CRI	>75
Voltage Input	100~277V
Voltage Output	44V
Amperage	4.5
Hertz	50~60Hz
Total Harmonic Dist.	<20%
Dimmability	Dimmable or Non-Dimmable
Operating Temp.	-40~122°F
IP Rating	IP67
IK Level	IK08
Weight	27.5 lb
Lifetime	50,000 hrs

FIELD & BEAM ANGLES

MODEL	Beam	Height vs. Illuminance (Ft vs Lux)		
	Angle	9.8 ft	19.7 ft	29.5 ft
BSL-AL400-HBL-MWOS-4000K-60	60	4,329.7	1,082.4	481.1
BSL-AL400-HBL-MWOS-4000K-90	90	2,382.4	595.6	264.7
BSL-AL400-HBL-MWOS-5700K-60	60	4,362.0	1,090.5	484.7
BSL-AL400-HBL-MWOS-5700K-90	90	2,393.1	598.3	265.9

PHOTOMETRICS



MOUNTING OPTION

Universal Hanging Bracket / Hanging Ring Mount / Pendant Mount

COLOR OPTIONS



*Customized colors available upon RAL request. MOQ applies.

