



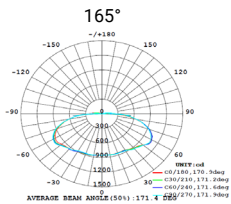
Description

Introducing the Corina Parking Garage LED Light, the perfect lighting solution for all your parking garage needs. Designed with advanced features and cutting-edge technology, this LED light ensures optimal illumination, energy efficiency, and durability. With wattage options ranging from 40 to 100 watts, the Corina Parking Garage LED Light provides a versatile range of brightness levels to suit your specific requirements. Whether you need to light up a small parking area or a large multi-level garage, this LED light has you covered. Featuring a wide beam angle of 165 degrees, the Corina LED light ensures broad coverage, eliminating dark corners and shadows in your parking facility. It creates a well-lit environment that enhances visibility, increases safety, and improves the overall user experience.

Applications

- Parking Garages
- Canopies

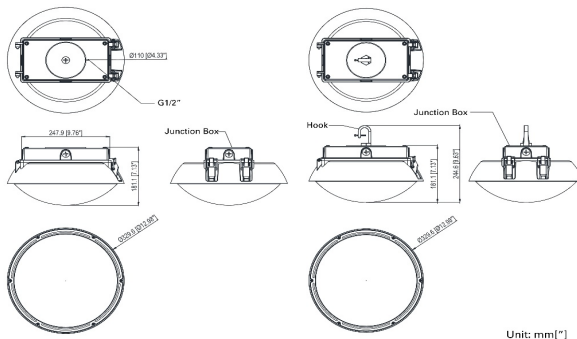
Photometry



Mounting Options

- Flush Mounting
- Pole Mounting

Dimensions



Electrical Information

Model No.	CRN-40	CRN-60	CRN-80	CRN-100
Power Consumption(±10%)	40W	60W	80W	100W
Power Supply	LED Driver			
Input Voltage	100-277V 50/60 Hz			
Power Factor	0.9			
Total Harmonic Distortion	13.40%			
Sensor	Built-in Microwave Sensor			
Control	Continuous Dimming above 10%			

Optic Information

LED Type	SMD			
Luminous Flux (±10%)	5600lms	8400lms	11200lms	14000lms
Efficacy(4000K Ra80)	Up to 140 lms/w			
Correlated Color Temperature	3000K, 4000K, 5000K, 5700K, 6500K			
Color Rendering Index	Ra80			
Beam Angle	165			
UGR level	N/A			

Dimensions and Mount

Product Dimension	13" Diameter x 7" Height
Luminaire Net Weight	6.17 lbs
Mounting Option	Flush and Pole Mounting
Material	Die-cast Aluminum Polycarbonate Lens
Finish	Powder Coating
Fixture Color	White
IK Rating	IK08
IP Rating	IP66

Lifespan and Warranty

Operating Temperature	-22°F to 122°F
Warranty	5 Years

Safety Certifications

- Luminaires (UL 1598:2021 Ed.5)
- Luminaires (CSA C22.2#250.0:2021 Ed.5)