



Electrical Information		
Model No.	B07-015	B07-025
Power Consumption (±10%)	15W	25W
Power Supply	Becky	
Input Voltage	120-277 Vac, 50 / 60 Hz	
Power Factor	>0.9	
Surge Protection	0.5kV line-line, 2kV line-earth / 1kV line-line, 2kV line-earth	
Driver Type	Constant current (CC)	
Control	0-10V dimming / PIR sensor	
Optic Information		
LED Type	LED 3030	
Luminous Flux (±10%)	1500lm (R02001) / 1425lm (R02002)	2500lm (R02001) / 2375lm (R02002)
Efficacy (4000K Ra80)	100lm/W (R02001) / 95lm/W (R02002)	100lm/W (R02001) / 95lm/W (R02002)
Correlated Color Temperature	4000K (3000K, 5000K optional)	
Color Rendering Index	Ra80 (Ra70 optional)	
Beam Angle	R02001 (Type V), R02002 (Type IV)	
UGR level	N/A	

## Description

B07, a slim and creative bollard, catching our eyes with its unique aesthetic design, helps lighting up your project space. Intelligent control like PIR sensor saves energy bills. IP66 and IK10 rated, also with its UV resistant polycarbonate optical lens, ideals for various outdoor applications.

## Key Features

- 15W/25W, system efficacy up to 105lm/W
- IP66 and IK10
- PIR sensor available
- Professional Type IV / Type V lighting distribution
- 0.5m and 42" height optional

## Applications

- Gardens
- Pathways
- Sidewalks
- Building entrances

## Dimensions and Mount

Product Dimension	0.5m: $\Phi 5.31" \times 19.69"$
	1m: $\Phi 5.31" \times 42"$
Luminaire Net Weight (±0.3kg/±0.66Lbs)	0.5m: 8.38 lbs.
	42": 11.9 lbs.
Export Carton Size (All-in-one package)	Full-assembled 0.5m: 25.59"×8.86"×9.06"
	Full-assembled 42": 45.28"×8.86"×9.06"
Gross Weight (All-in-one package) (±0.3kg/±0.66Lbs)	Full-assembled 0.5m: 9.92 lbs.
	Full-assembled 42": 14.33 lbs.
Export Carton Size (Separated package)	Heading: 16.14"×8.27"×8.66"
	Bollard 0.5m: 19.88"×8.86"×9.06"
	Bollard 42": 42"×8.86"×9.06"
Gross Weight (Separated package) (±0.3kg/±0.66Lbs)	Heading: 5.51 lbs.
	Bollard 0.5m: 5.29 lbs.
	Bollard 42": 9.7 lbs.
Mounting Option	Mounting kit with anchor bolts
Material	Aluminum alloy
	Polycarbonate optical lens
Finish	Powder coating
Fixture Color	Black (RAL 9017)
EPA	N/A
IK Rating	IK10
IP Rating	IP66

## Lifespan and Warranty

Operating Temperature	-4°F to 113°F (Conventional)
	-4°F to 104°F (PIR sensor)
Life Time of LED @Ta=25°C	57,000 hrs - L90
	130,000 hrs - L80
	210,000 hrs - L70
Warranty	5 years

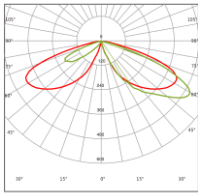
## Safety Certifications

Luminaires [UL 1598:2021 Ed.5]

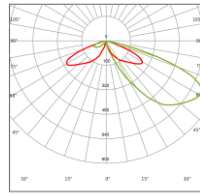
Luminaires [CSA C22.2#250.0:2021 Ed.5]

**Photometry**

15W beam angle

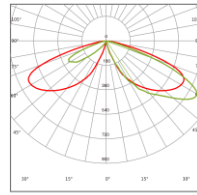


R02001

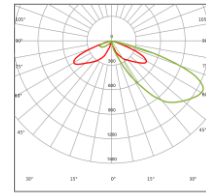


R02002

25W beam angle



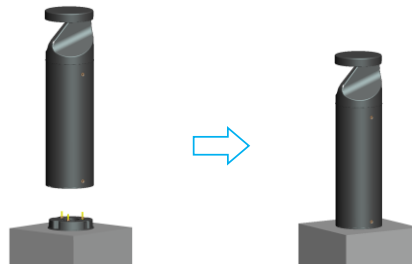
R02001



R02002

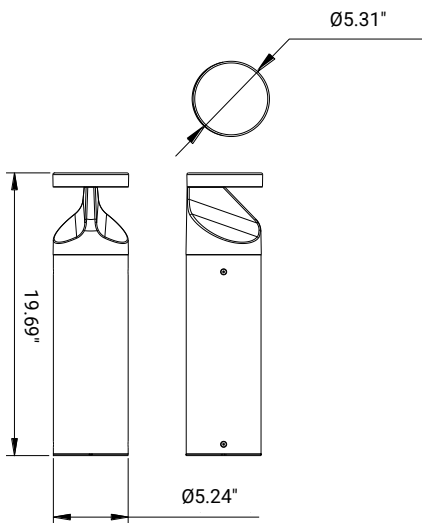
**Mounting Options**

Mounting kit with anchor bolts

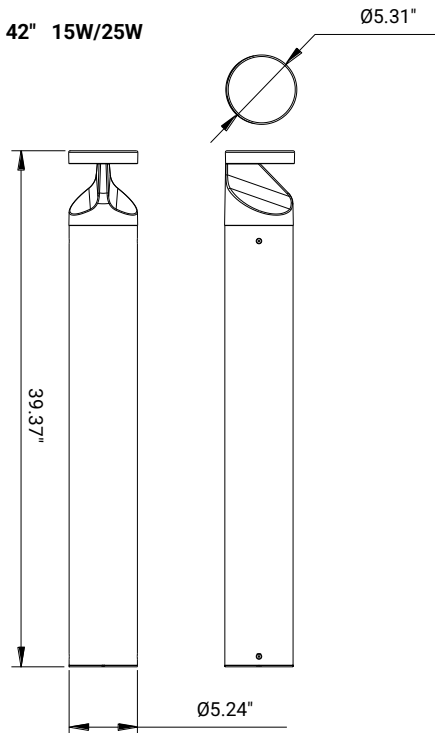


**Dimensions**

0.5m 15W/25W

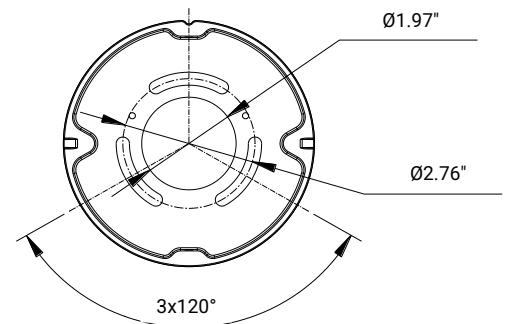


42" 15W/25W



Base plate template

Unit:mm/inch



**Accessories**



**Backfilled Anchor**  
Q235 +SPCC, hot dip  
galvanizing  
Φ130x508mm.

Code: MT-B01-03